

# 1150EVO ROCK HAWG



Tesmec 1150 EVO Rock Hawg is a 60 metric ton-class surface miner equipped with a 451 HP (336 kW) Tier 4/stage V engine, or a 440 HP (328 kW) Tier 3 engine, employed in bulk excavations, tunneling projects and continuous surface mining

## STANDARD FEATURES

**Productivity** Achieve maximum productivity with 1150EVO tractor and Rockhawg attachment, offered as standard with drum guard, cross conveyor and track protection (both in Upcutting configuration only), TrenchTronic and Re.M. It can work in Up cutting and Down cutting by changing configuration.

**Modularity** This model is available also with a Chainsaw, Rocksaw and Dynamic Drive attachment, making it the ideal solution for multiple applications.

**Safety in cab** Experience the safety of the pressurized cab with air conditioning, heating and sound suppression. This is elevating with ROPS and FOPS, as well as compartment security locks.

## OPTIONAL FEATURES

- Air compressor, automatic greasing kit, automatic drum greasing kits, security kit and work light package
- Water spray dust suppression system
- TrenchIntel, Smart Tracker and Laser automatic system for depth control
- Remote control for maintenance
- Trencher radio control system
- Swap kits to Chainsaw, Rocksaw and Dynamic Drive attachments

## STATE OF THE ART TECHNOLOGY

**TrenchIntel** The extra high precision 3DGPS guidance system for automatic depth and grade control, auto-steering to a predefined path, pass optimization and fleet control

**TrenchTronic 5.0** Electronic control with operator selectable digging pressure, fully automatic operation, and remote diagnostic system

**Re.M** The remote monitoring system with machine data remote monitoring, fleet location management, troubleshooting information and operating conditions

## TRENCHING DIMENSIONS

### DOWN CUTTING



### UP CUTTING



## TRANSPORT DIMENSIONS

	METRIC	US
<b>Length</b>		
with drum and drum guard	1045 cm	34' 4"
without drum guard	1011 cm	33' 2"
tractor only	851 cm	27' 11"
<b>Width</b>		
with bolted-on ends or welded drum	320 cm	10' 6"
without drum flanges	317 cm	10' 5"
without drum and digging motors	280 cm	9' 3"
<b>Height</b>	342 cm	11' 2"
<b>Weight</b>	58.000 - 59.700 Kg	127.800 - 131.600 lbs
<b>Ground pressure</b>	1.30 - 1.33 kg/cm <sup>2</sup>	18.4 - 19.0 psi

## ENGINE

	METRIC	US
<b>Model and Max HP (kW)</b>		
Tier 4/Stage V Cummins X12	451 HP (336 kW)	
Tier 3 CAT C13 ACERT	440 HP (328 kW)	
<b>Max no load rpm</b>		
Tier 4/Stage 5	1.850 RPM	
Tier 3	2.100 RPM	
<b>Fuel tank capacity</b>		
Tier 4/Stage 5	1.355 L	358 gal
Tier 3	1.230 L	324 gal
<b>Fuel consumption (at full load)</b>		
Tier 4/Stage 5	81 L/hr	21.5 gal/hr
Tier 3	87 L/hr	23 gal/hr
<b>AD Blue/DEF consumption</b>		
Tier 4 / Stage V	3.24 L/hr	0,85 gal/hr
<b>Cooling rating</b>	50°C ambient air	122°F ambient air
<b>Air cleaner</b>	Dry type, pre cleaner and auto dust ejection	

## TRACKS

	METRIC	US
<b>Track chain type</b>	42/325	
<b>Track length</b>	378 cm	12' 5"
<b>Track pad width</b>	60 cm	2'
<b>Track pad type</b>	Triple grouser (single or demi grouse available as option)	

## CRAWLER DRIVE

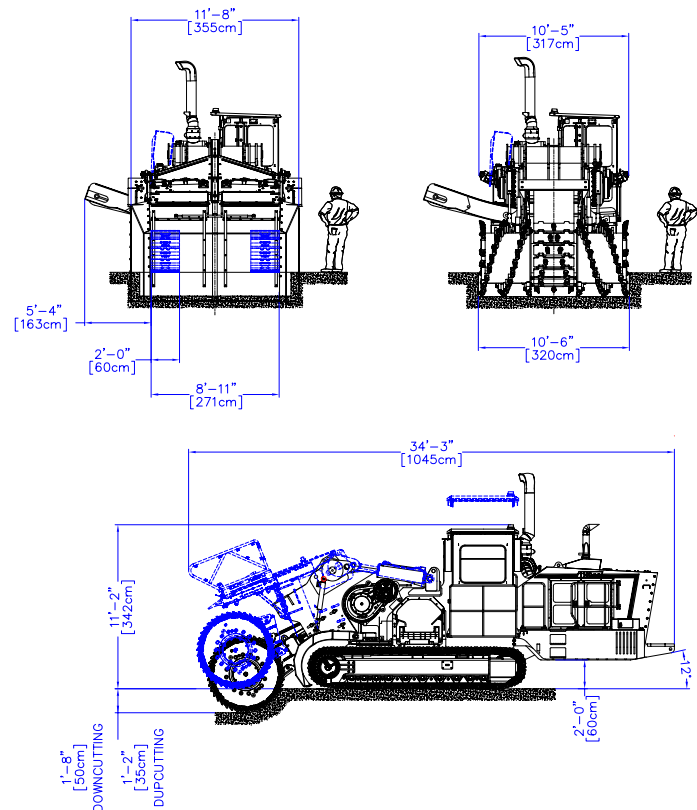
	METRIC	US
<b>Drive</b>	Dual path, hydrostatic, planetary transmissions	
	Full counter rotation with single lever steering	
<b>Infinitely variable speed</b>	Forward and reverse	
High range	0 - 3.3 km/h	0 - 2.05 mph
Low range	0 - 1.5 km/h	0 - 0.93 mph
<b>Parking and service brake</b>	Spring applied, hydraulic release, wet disc brake	

## DIGGING DRIVE

	METRIC	US
<b>Drive</b>	Hydrostatic, two pumps and two motors	
<b>Flywheel gearboxes</b>	Shaved, helical gearing, case hardened for shock load	
<b>Digging speed ranges</b>	0 - 120 m/min	0 - 395 fpm
	0 - 151 m/min	0 - 495 fpm
	0 - 192 m/min	0 - 630 pfm
	0 - 233 m/min	0 - 765 fpm
<b>Digging chain</b>	54/345	
<b>Digging chain adjustment</b>	Hydraulic	
<b>Cutters</b>	Rotary carbide tipped	
<b>Cutters shank diameter</b>	3.81 cm	1" 1/2
<b>Cutters gage</b>	7.62 cm	3"
<b>Drum tip diameter</b>	163.5 cm	5' 4"

## CROSS CONVEYOR

	METRIC	US
<b>Available on Up-cutting configuration only</b>		
<b>Reversible and shiftable</b>	Yes	
<b>Conveyor belt speed</b>	0 - 229 m/min	0 - 750 fpm
<b>Conveyor discharge direction</b>	Right or left	
<b>Conveyor belt width</b>	76 cm	2' 6"
<b>Conveyor length</b>	363 cm	11' 11"
<b>Discharge height</b>	181 cm	5' 11"



Pictures & drawings can be different according to technical specifications - Updating programme variations without notice are possible

**TESMEC**  
draw the way forward