

SIDECUT SC3C ROCKSAW



Tesmec SC3C is a 4 metric ton-class trencher featuring a 98.7 HP (73.6 kW) engine designed for the deployment of fiber optic networks in urban areas

STANDARD FEATURES

Productivity Exploit the productivity of Sidecut SC3C and rock saw attachment, featuring an hydraulic offset of 42.5 (1' 5") right and 36.5 cm (1' 2") left, +/- 15° hydraulic tilt (rotation about horizontal axis) and +/- 29° hydraulic pivot (rotation about vertical axis). These are offered as standard with crumshoe and security kit.

Maneuverability Enhance SC3C potential and its compact dimensions, articulated steering and axial driven cutting wheel mounted on a 5-axis boom, which allows it to cut on sidewalks with limited disturbance to pedestrian and traffic during work, trench in curves and adapt to urban strains.

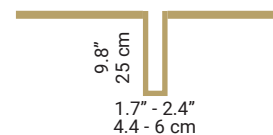
Remote control Experience the radio control system, which enables the operator to control the machine remotely, increasing the safety in site, the visibility on the trenching area and on the trenching tool.

OPTIONAL FEATURES

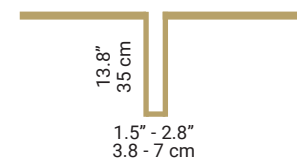
- Worklight
- Extra Offset 25 cm (10") right (axis trench to track edge)

TRENCHING DIMENSIONS

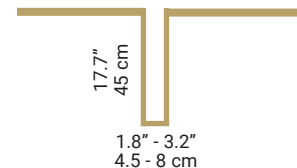
R250/R250A WHEEL



R350/R350A WHEEL



R450 WHEEL



TRANSPORT DIMENSIONS

	METRIC	US
Length		
R250/R250A	471.5 cm	15' 6"
R350/R350A	521 cm	17' 1"
R450	534 cm	17' 5"
Width	110 cm	3' 7"
Height	176 cm	5' 9"
Weight		
R250/R250A	4.285 Kg	9.450 lbs
R350/R350A	4.305 Kg	9.490 lbs
R450	4.550 Kg	10.000 lbs
Ground pressure	0.66 - 0.71 kg/cm2	9.4 - 10.1 psi

ENGINE

	METRIC	US
Model and Max HP (kW)		
EU Stage IIIB - US EPA Tier 4i	98.7 HP (73.6 kW)	
Max no load rpm	2000 RPM	
Fuel tank capacity	160 L	42.3 gal
Fuel consumption	20 L/hr	5.3 gal/hr
Cooling rating	45°C ambient air	113°F ambient air
Air cleaner	Dry type, 2 stages with pre-cleaner and automatic dust ejection	

TRACKS

	METRIC	US
Track chain type	B2	
Track length	210 cm	6' 11"
Space idler / sprocket	160 cm	5' 3"
Track pad type	Rubber overmolded steel tiles	
Track pad width	20 cm	7.9"

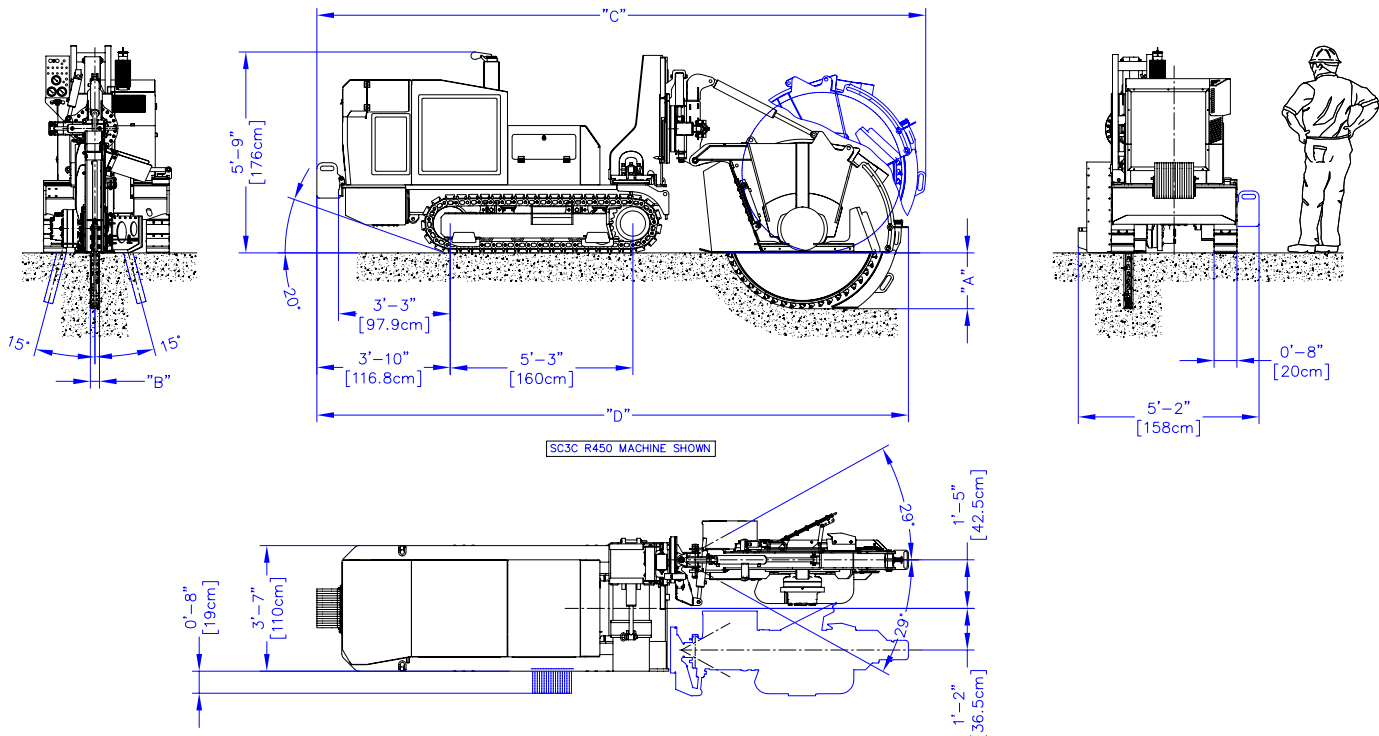
CRAWLER DRIVE

	METRIC	US
Drive	Dual path, hydrostatic, planetary transmissions	
	Full counter rotation with double lever steering and double lever direction	
Infinitely variable speed	Forward and reverse	
Transfer mode driving	0 - 2.6 km/h	0 - 1.6 mph
Work mode driving	0 - 50 m/h	0 - 164 fph
Parking and service brake	Hydraulic due to lack of pressure	

DIGGING DRIVE

	METRIC	US
Drive	Hydrostatic, one pumps and one gearbox	
Digging speed ranges	0 - 360 m/min	0 - 1181 fpm
Cutters	Rotary carbide tipped	
Cutters shank diameter	2 cm	13/16"
Cutters gage	2.8 cm	1.1"

TOOL	"A"	"B"	"C"	"D"
R250 / R250A	10" [25 cm]	Min 1.7" [4.4 cm] Max 2.4" [6 cm]	16'-7" [510 cm]	16'-3" [496 cm]
R350 / R350A	13.8" [35 cm]	Min 1.5" [3.8 cm] Max 2.7" [7 cm]	17'-1" [521 cm]	16'-7" [510 cm]
R450	17.7" [45 cm]	Min 1.8" [4.5 cm] Max 3.2" [8 cm]	17'-5" [534 cm]	17'-1" [521 cm]



Pictures & drawings can be different according to technical specifications - Updating programme variations without notice are possible